

Electric Wire Rope Hoists “MH” and “MHM” Types





WIRE ROPE ELECTRIC HOISTS

Lifting capacity from 250 kg up to 32 000 kg.

More than 2 000 000 wire rope electric hoists of the well known "T" series have been sold by Balkancarpodem in over 50 countries of the world.

The great experience of Balkancarpodem in the field of the materials handling equipment industry has been used in the up dating of this electric hoist series.

The new "MH" and "MHM" series finds wide application in different fields of economy and corresponds to FEM standards.

NEW "MH" AND "MHM" TYPE

The "MH" and "MHM" series is designed on the basis of the modular principle. The various capacities, lifting heights and lifting speeds ensure wide application of the "MH" and "MHM" hoists. Easy and cost effective.

The wire rope electric hoists of the "MH" and "MHM" series are certified by TÜV and conform to the following norms:

- EG - European requirements for machines 2006/42/EC
- EG - European requirements for low voltage 2006/95/EC
- Harmonized norm EN ISO 12100 - Protection of machines

CONTENTS

Selection	3
Type selection	4
Type designation	7
Description of the electric hoist	8
Stationary electric wire rope hoist - Reeving 1/1	9
Stationary electric wire rope hoist - Reeving 2/2	10
Stationary electric wire rope hoist - Reeving 2/1	11
Stationary electric wire rope hoist - Reeving 4/2	12
Stationary electric wire rope hoist - Reeving 4/1	13
Monorail trolley, standard headroom - Reeving 2/1	14
Monorail trolley, standard headroom - Reeving 4/1	16
Monorail trolley, reduced headroom - Reeving 2/1	18
Monorail trolley, reduced headroom - Reeving 4/1	19
Double rail trolley - Reeving 2/1	20
Double rail trolley - Reeving 4/1	21

Selection

SELECTION CRITERIA

To choose the right hoists the following criteria should be taken account:

1. What will be the maximum loading capacity?
2. What will be the maximum lifting height?
3. What hoisting speed is to be employed?
4. Will an auxiliary reduced lifting speed be required?
5. What will the operational conditions be?
6. What will the travelling speed be, if required?
7. How do you need to operate the hoists?

The type of the hoists is to be defined in accordance with the load spectrum, the average operating time per day in hours, the loading capacity and the reeving.

SELECTION EXAMPLE

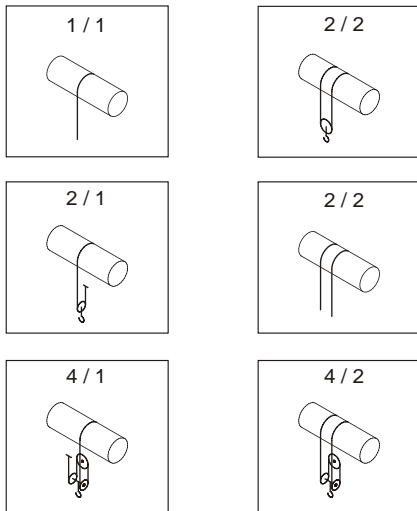
Loading capacity - **4000 kg**
 Average lifting path of the hook (**H**) - **5 m**
 Hoisting speed (**V**) - **4 m/min**
 Reeving - **4/1**
 Load spectrum - **"medium"**
 Cycles per hour (**N**) - **15**
 Average operating time per day (**T**) - **6 hours**

The average operating time per day of the hoist is to be calculated in the in the following manner:

$$T_m = \frac{2 \times H \times N \times T}{60 \times V} = \frac{2 \times 5 \times 15 \times 6}{60 \times 4} = 3.75 \text{ hours}$$

For the "medium" load spectrum and average operating time per day of 3.75 hours the group "2m" is shown in table "LOAD SPECTRUM-CLASS OF OPERATING TIME".

For loading capacity of 4000 kg and 4/1 reeving the type of the hoist "**MHM 4-10**" or "**MH 6-10**" is shown in Table 1 - "Type selection".



Load Spectrum (Duty operation mode) DEFINITION		Class of Operating Time average operating time per day Tm in hours				
LIGHT	Mechanisms, usually subject to very small loads and in exceptional cases only to maximum loads		1-2	2-4	4-8	8-16
MEDIUM	Mechanisms, usually subject to small loads but rather often to maximum loads		0,5 - 1	1 - 2	2 - 4	4 - 8
HEAVY	Mechanisms, usually subject to medium loads but frequently maximum loads		0,25 - 0,5	0,5 - 1	1 - 2	2 - 4
VERY HEAVY	Mechanisms, usually subject to maximum or almost maximum loads		< 0,25	0,25 - 0,5	0,5 - 1	1 - 2
GROUP - DIN 15 020 / FEM 9.511			1 Bm	1 Am	2 m	3 m
GROUP - ISO 4301			M3	M4	M5	M6

Type Selection

CAPACITY, kg			SERIES	SIZE			
REEVING							
1 / 1	2 / 1	4 / 1					
400	800	1600	MH 3 MHM 4 MHM 5	-	-	-	MH 3-04 MHM 4-04 MHM 5-04
500	1000	2000		-	-	MH 3-05 MHM 4-05 MHM 5-05	-
800	1600	3200	MH 3 MHM 4 MH 6	-	-	MH 3-08	MHM 4-08 MH 6-08
1000	2000	4000		-	-	MHM 4-10 MH 6-10	-
1250	2500	5000	MHM 4 MHM 5 MH 6	-	-	-	MHM 5-12 MH 6-12
1600	3200	6300		-	-	MHM 4-16 MHM 5-16 MH 6-16	-
2000	4000	8000	MHM 5 MH 6 MH 7	-	-	-	MH 6-20 MH 7-20
2500	5000	10000		-	-	MHM 5-25 MH 6-25 MH 7-25	-
3200	6300	12500		-	-	MH 6-32 MH 7-32	-
4000	8000	16000		-	MH 7-40	-	-
5000	10000	20000	MH 6 MH 7	-	-	MH 7-50	-
6300	12500	25000		-	MH 7-63	-	-
8000	16000	32000		MH 7-80	-	-	-

Type selection

Table 1

Capacity, kg	Type	REEVING	DIN 15020 FEM 9.511	ISO 4301	Size of drums									Lifting speed, m/min	
					01	02	03	04	05	06	07	08	09	V1 V1/M1	V2 V2/M2
					Lifting height H, m										
400	MH 3-04	1/1	3m	M6	12	19	26,5	40,5	54,5	-	-	-	-	16 16/4	24 24/4
	MHM 4-04				-	-	-	-	72,5	-	-	-	-		
	MHM 5-04				-	-	-	-	81	102	-	-	-		
	MH 3-04	2/2	3m	M6	-	-	11	20,5	29,5	-	-	-	-	16 16/4	24 24/4
	MHM 4-04				-	-	15	-	-	-	-	-	-		
	MHM 5-04				-	-	-	31,5	-	-	-	-	-		
500	MH 3-05	1/1	2m	M5	12	19	26,5	40,5	54,5	-	-	-	-	16 16/4	24 24/4
	MHM 4-05				-	-	-	-	72,5	-	-	-	-		
	MHM 5-05				-	-	-	-	81	102	-	-	-		
	MH 3-05	2/2	2m	M5	-	-	11	20,5	29,5	-	-	-	-	16 16/4	24 24/4
	MHM 4-05				-	-	15	-	-	-	-	-	-		
	MHM 5-05				-	-	-	31,5	-	-	-	-	-		
800	MH 3-08	1/1	2m	M5	12	19	26,5	40,5	54,5	-	-	-	-	16 16/2,8	-
	MHM 4-08		3m	M6	10	17	24	37	50,5	-	-	-	-	16 16/4	24 24/4
	MH 6-08		-	-	-	-	-	-	67,5	76,5	91,5	-	-	-	-
	MH 3-08	2/2	2m	M5	-	-	11	20,5	29,5	-	-	-	-	16 16/2,8	-
	MHM 4-08		3m	M6	-	-	10	19,5	29	-	-	-	-	16 16/4	24 24/4
	MH 6-08		-	-	-	-	-	-	39,5	46,5	56,5	-	-	-	-
	MH 3-04	2/1	3m	M6	6	9,5	13	20	27	-	-	-	-	8 8/2	12 12/2
	MHM 4-04				-	-	-	-	36	-	-	-	-	-	
	MHM 5-04				-	-	-	-	40,5	51	-	-	-	-	
	MH 3-04	4/2	3m	M6	-	-	-	10	14,5	-	-	-	-	8 8/2	12 12/2
	MHM 4-04				-	-	7,5	-	-	-	-	-	-	-	
	MHM 5-04				-	-	-	15,5	-	-	-	-	-	-	
1000	MHM 4-10	1/1	2m	M5	10	17	24	37	50,5	-	-	-	-	16 16/4	24 24/4
	MH 6-10				-	-	-	-	67,5	76,5	91,5	-	-	-	
	MHM 4-10				-	-	10	19,5	29	-	-	-	-	-	
	MH 6-10	2/2	2m	M5	-	-	-	-	39,5	46,5	56,5	-	-	16 16/4	24 24/4
	MH 3-05				6	9,5	13	20	27	-	-	-	-	-	
	MHM 4-05				-	-	-	-	36	-	-	-	-	-	
	MHM 5-05	2/1	2m	M5	-	-	-	-	40,5	51	-	-	-	8 8/2	12 12/2
	MH 3-05				-	-	-	10	14,5	-	-	-	-	-	
MHM 4-05	-				-	7,5	-	-	-	-	-	-	-		
MHM 5-05	4/2	2m	M5	-	-	-	15,5	-	-	-	-	-	8 8/2	12 12/2	
MH 3-05				-	-	-	10	14,5	-	-	-	-	-		
MHM 4-05				-	-	7,5	-	-	-	-	-	-	-		
1250	MHM 5-12	1/1	3m	M6	9,5 (12)	16,5 (20)	22,5 (27)	34,5 (42)	46,5 (56,5)	59 (71)	-	-	-	16 16/4	24 24/4
	MH 6-12				-	-	-	-	55,5 (67,5)	63 (76,5)	75,5 (91,5)	-	-	-	
	MHM 5-12	2/2	3m	M6	-	-	7	14,5	22	29	-	-	-	16 16/4	24 24/4
	MH 6-12				-	-	-	-	25,5	30,5	37,5	-	-	-	

Table 1 - cont'd

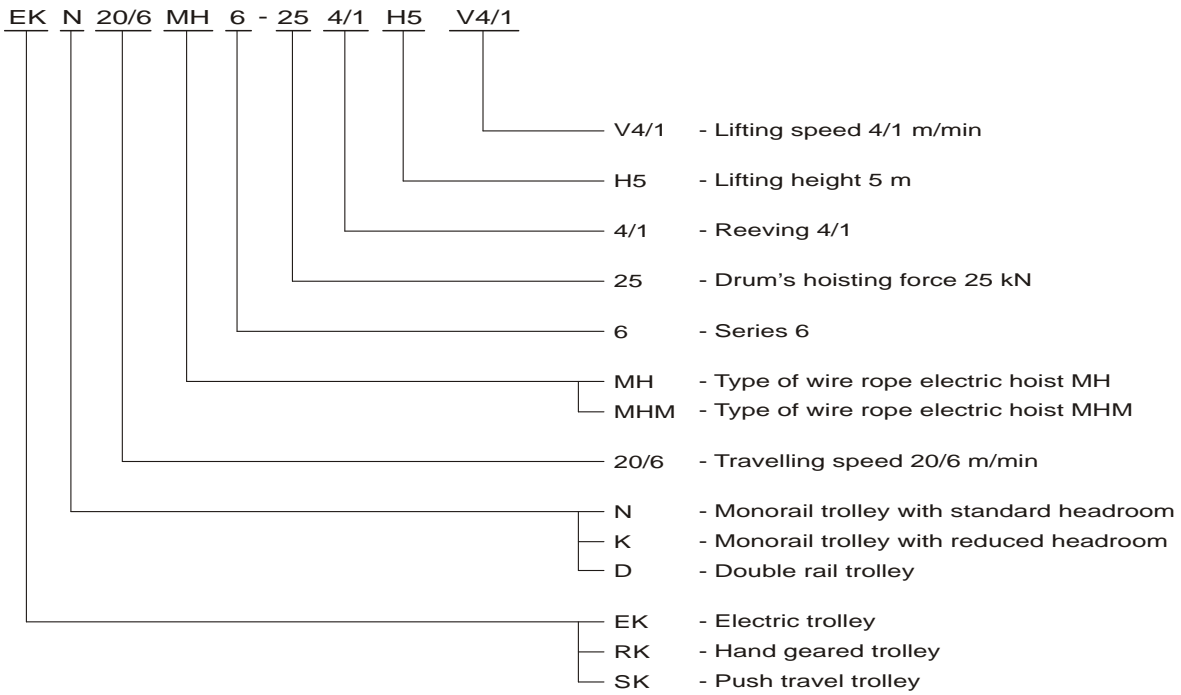
Capacity, kg	Type	REEVING	DIN 15020 FEM 9.511	ISO 4301	Size of drums									Lifting speed, m/min			
					01	02	03	04	05	06	07	08	09	V1 V1/M1	V2 V2/M2		
					Lifting height H, m												
1600	MHM 4-16	1/1	2m	M5	10	17	24	37	50,5	—	—	—	—	16 16/2,8	—		
	MHM 5-16				9,5 (12)	16,5 (20)	22,5 (27)	34,5 (42)	46,5 (56,5)	59 (71)	—	—	—	16 16/4	24 24/4		
	MH 6-16				—	—	—	—	55,5 (67,5)	63 (76,5)	75,5 (91,5)	—	—	—	—	—	
	MHM 4-16	2/2	2m	M5	—	—	10	19,5	29	—	—	—	—	16 16/2,8	—		
	MHM 5-16				—	—	7	14,5	22	29	—	—	—	—	16 16/4	24 24/4	
	MH 6-16				—	—	—	—	25,5	30,5	37,5	—	—	—	—	—	
	MH 3-08	2/1	2m	M5	6	9,5	13	20	27	—	—	—	—	8 8/1,4	—		
	MHM 4-08		3m	M6	5	8,5	12	18,5	25	—	—	—	—	8 8/2	12 12/2		
	MH 6-08		—	—	—	—	33,5	38	45,5	—	—	—	—	—			
	MH 3-08	4/2	2m	M5	—	—	—	10	14,5	—	—	—	—	8 8/1,4	—		
	MHM 4-08		3m	M6	—	—	—	9,5	14,5	—	—	—	—	8 8/2	12 12/2		
	MH 6-08		—	—	—	—	19,5	23	28,5	—	—	—	—	—			
MH 3-04	4/1	3m	M6	—	—	6,5	10	13,5	—	—	—	—	4 4/1	6 6/1			
MHM 4-04				—	—	—	—	18	—	—	—	—	—	—	—		
MHM 5-04				—	—	—	—	20	25,5	—	—	—	—	—	—		
2000	MH 6-20	1/1	3m	M6	—	14,5 (17)	20,5 (24)	33 (37,5)	45 (51,5)	51 (58,5)	61,5 (70,5)	—	—	16 16/4	24 24/4		
	MH 7-20				—	—	—	—	—	66,5 (76,5)	80 (92)	—	—	—	—		
	MH 6-20				—	—	—	11,5	19	22,5	29	—	—	—	—	16 16/4	24 24/4
	MH 7-20	2/1	3m	M6	—	—	—	—	—	31	39,5	—	—	—	—		
	MHM 4-10				2m	M5	5	8,5	12	18,5	25	—	—	—	—	8 8/2	12 12/2
	MH 6-10				—	—	—	—	33,5	38	45,5	—	—	—	—	—	
	MHM 4-10	4/2	2m	M5	—	—	—	9,5	14,5	—	—	—	—	8 8/2	12 12/2		
	MH 6-10				—	—	—	—	19,5	23	28,5	—	—	—	—	—	
	MH 3-05				—	—	6,5	10	13,5	—	—	—	—	—	—	—	
MHM 4-05	4/1	2m	M5	—	—	—	—	18	—	—	—	—	4 4/1	6 6/1			
MHM 5-05				—	—	—	—	20	25,5	—	—	—	—	—	—		
MH 3-05				—	—	—	—	—	—	—	—	—	—	—	—		
2500	MHM 5-25	1/1	2m	M5	9,5	16,5	22,5	34,5	46,5	59	—	—	—	16 16/2,8	—		
	MH 6-25				—	14,5 (17)	20,5 (24)	33 (37,5)	45 (51,5)	51 (58,5)	61,5 (70,5)	—	—	—	16 16/4	24 24/4	
	MH 7-25				—	—	—	—	—	66,5 (76,5)	80 (92)	—	—	—	—	—	
	MHM 5-25	2/2	2m	M5	—	—	7	14,5	22	29	—	—	—	16 16/2,8	—		
	MH 6-25				—	—	—	11,5	19	22,5	29	—	—	—	16 16/4	24 24/4	
	MH 7-25				—	—	—	—	—	31	39,5	—	—	—	—	—	
	MHM 5-12	2/1	3m	M6	5 (6)	8 (10)	11 (13,5)	17 (21)	23 (28)	29,5 (35,5)	—	—	—	8 8/2	12 12/2		
	MH 6-12				—	—	—	—	27,5 (33,5)	31,5 (38)	37,5 (45,5)	—	—	—	—	—	
MHM 5-12	—				—	—	7	11	14,5	—	—	—	—	—	—		
MH 6-12	4/2	3m	M6	—	—	—	—	12,5	15	18,5	—	—	8 8/2	12 12/2			
MH 6-32				1/1	2m	M5	—	14,5	20,5	33	45	51	61,5	—	—	16 16/2,8	—
MH 7-32							—	15,5 (17,5)	24,5 (28)	33,5 (38,5)	45,5 (52,5)	57,5 (66)	69,5 (80)	81,5 (93,5)	94,5 (108,5)	—	—
MH 6-32	—	—	—				11,5	19	22,5	29	—	—	—	—	16 16/2,8	—	
MH 7-32	2/2	2m	M5	—	—	—	10	16,5	24	30,5	—	—	16 16/4	24 24/4			
MHM 4-16				2/1	2m	M5	5	8,5	12	18,5	25	—	—	—	8 8/1,4	—	
MHM 5-16							5 (6)	8 (10)	11 (13,5)	17 (21)	23 (28)	29,5 (35,5)	—	—	—	—	—
MH 6-16	—	—	—				—	27,5 (33,5)	31,5 (38)	37,5 (45,5)	—	—	—	—	8 8/2	12 12/2	
MHM 4-16	4/2	2m	M5	—	—	—	9,5	14,5	—	—	—	—	8 8/1,4	—			
MHM 5-16				—	—	—	7	11	14,5	—	—	—	—	—	8 8/2	12 12/2	
MH 6-16				—	—	—	—	12,5	15	18,5	—	—	—	—	—		
MH 3-08	4/1	2m	M5	—	—	6,5	10	13,5	—	—	—	—	4 4/0,7	—			
MHM 4-08		3m	M6	—	—	6	9	12,5	—	—	—	—	4 4/1	6 6/1			
MH 6-08				—	—	—	—	16,5	19	22,5	—	—	—	—	—		

Table 1 - cont'd

Capacity, kg	Type	REEVING	DIN 15020 FEM 9.511	ISO 4301	Size of drums									Lifting speed, m/min	
					01	02	03	04	05	06	07	08	09	V1 V1/M1	V2 V2/M2
					Lifting height H, m										
4000	MH 7-40	1/1	1Am	M4	-	15,5 (17,5)	24,5 (28)	33,5 (38,5)	45,5 (52,5)	57,5 (66)	69,5 (80)	81,5 (93,5)	94,5 (108,5)	16 16/4	24 24/4
		2/2			-	-	10	16,5	24	30,5	-	-			
	MH 6-20	2/1	3m	M6	-	7 (8,5)	10,5 (12)	16,5 (19)	22,5 (26)	25,5 (29,5)	30,5 (35)	-	-	8 8/2	12 12/2
					MH 7-20	-	-	-	-	-	33 (38)	40 (46)	-	-	
	MH 6-20	4/2	3m	M6	-	-	-	-	9,5	11	14,5	-	-	8 8/2	12 12/2
					MH 7-20	-	-	-	-	-	15,5	19,5	-	-	
	MHM 4-10	4/1	2m	M5	-	-	6	9	12,5	-	-	-	-	4 4/1	6 6/1
MH 6-10	-				-	-	-	16,5	19	22,5	-	-			
5000	MH 7-50	1/1	2m	M5	-	15,5 (17,5)	24,5 (28)	33,5 (38,5)	45,5 (52,5)	57,5 (66)	69,5 (80)	81,5 (93,5)	94,5 (108,5)	12,8 12,8/3,2	19,2 19,2/3,2
		2/2			-	-	10	16,5	24	30,5	-	-			
	MHM 5-25	2/1	2m	M5	5	8	11	17	23	29,5	-	-	-	8 8/1,4	-
					MH 6-25	-	7 (8,5)	10,5 (12)	16,5 (19)	22,5 (26)	25,5 (29,5)	30,5 (35)	-	-	8 8/2
	MH 7-25	4/2	2m	M5	-	-	-	-	-	33 (38)	40 (46)	-	-	8 8/1,4	-
					MHM 5-25	-	-	-	7	11	14,5	-	-	-	-
	MH 6-25	4/2	2m	M5	-	-	-	-	9,5	11	14,5	-	-	8 8/2	12 12/2
					MH 7-25	-	-	-	-	-	15,5	19,5	-	-	
MHM 5-12	4/1	3m	M6	-	-	5,5 (6,5)	8,5 (10,5)	11,5 (14)	14,5 (17,5)	-	-	-	4 4/1	6 6/1	
				MH 6-12	-	-	-	-	-	15,5 (19)	18,5 (22,5)	-	-		
6300	MH 7-63	1/1	1Am	M4	-	14 (15,5)	22 (25)	30,5 (34)	42 (46,5)	53,5 (59)	64,5 (71)	75,5 (83,5)	87,5 (96,5)	10,4 10,4/2,6	15,6 15,6/2,6
		2/2			-	-	10	17	24,5	31,5	-	-			
	MH 6-32	2/1	2m	M5	-	7	10,5	16,5	22,5	25,5	30,5	-	-	8 8/1,4	-
					MH 7-32	-	7,5 (8,5)	12 (14)	16,5 (19)	22,5 (26)	29 (33)	34,5 (40)	40,5 (46,5)	47 (54)	8 8/2
	MH 6-32	4/2	2m	M5	-	-	-	-	9,5	11	14,5	-	-	8 8/1,4	-
					MH 7-32	-	-	-	5	8	12	15	-	-	8 8/2
	MH 4-16	4/1	2m	M5	-	-	6	9	12,5	-	-	-	-	4 4/0,7	-
					MHM 5-16	-	-	5,5 (6,5)	8,5 (10,5)	11,5 (14)	14,5 (17,5)	-	-	-	4 4/1
MH 6-16	4/1	2m	M5	-	-	-	-	-	-	15,5 (19)	18,5 (22,5)	-	-	4 4/1	6 6/1
8000	MH 7-80	1/1	1Bm	M3	-	11,5	19	26,5	36,5	47	56,5	66,5	77	8,8 8,8/2,2	13,2 13,2/2,2
		2/2			-	-	10	17	24,5	31,5	38	46			
	MH 7-40	2/1	1Am	M4	-	7,5 (8,5)	12 (14)	16,5 (19)	22,5 (26)	29 (33)	34,5 (40)	40,5 (46,5)	47 (54)	8 8/2	12 12/2
		4/2			-	-	5	8	12	15	-	-			
	MH 6-20	4/1	3m	M6	-	-	5 (6)	8 (9,5)	11 (13)	12,5 (14,5)	15 (17,5)	-	-	4 4/1	6 6/1
MH 7-20					-	-	-	-	-	16,5 (19)	20 (23)	-	-		
10000	MH 7-50	2/1	2m	M5	-	7,5 (8,5)	12 (14)	16,5 (19)	22,5 (26)	29 (33)	34,5 (40)	40,5 (46,5)	47 (54)	6,4 6,4/1,6	9,6 9,6/1,6
		4/2			-	-	5	8	12	15	-	-	4 4/0,7	-	
	MHM 5-25	4/1	2m	M5	-	-	5,5 (6)	8 (9,5)	11 (13)	12,5 (14,5)	15 (17,5)	-	-	4 4/1	6 6/1
					MH 6-25	-	-	-	-	-	16,5 (19)	20 (23)	-	-	
12500	MH 7-63	2/1	1Am	M4	-	7 (7,5)	11 (12,5)	15 (17)	21 (23)	26,5 (29,5)	32 (35,5)	37,5 (41,5)	44 (48)	5,2 5,2/1,3	7,8 7,8/1,3
		4/2			-	-	5	8,5	12	15,5	-	-	4 4/0,7	-	
	MH 6-32	4/1	2m	M5	-	-	5	8	11	12,5	15	-	-	4 4/1	6 6/1
MH 7-32	4/1	2m	M5	-	-	-	8 (9,5)	11 (13)	14,5 (16,5)	17,5 (20)	20 (23)	23,5 (27)	4 4/1	6 6/1	
16000	MH 7-80	2/1	1Bm	M3	-	6	9,5	13	18,5	23,5	28	33	38,5	4,4 4,4/1,1	6,6 6,6/1,1
		4/2			-	-	5	8,5	12	15,5	19	23			
MH 7-40	4/1	1Am	M4	-	-	-	8 (9,5)	11 (13)	14,5 (16,5)	17,5 (19,5)	20 (23)	23,5 (27)	4 4/1	6 6/1	
20000	MH 7-50	4/1	2m	M5	-	-	8 (9,5)	11 (13)	14,5 (16,5)	17,5 (20)	20 (23)	23,5 (27)	3,2 3,2/0,8	4,8 4,8/0,8	
25000	MH 7-63	4/1	1Am	M4	-	-	7,5 (8,5)	10,5 (11,5)	13 (14,5)	16 (17,5)	18,5 (20,5)	22 (24)	2,6 2,6/0,65	3,9 3,9/0,65	
32000	MH 7-80	4/1	1Bm	M3	-	-	-	6,5	9	11,5	14	16,5	19	2,2 2,2/0,55	3,3 3,3/0,55

1) The data given in brackets are to be considered for wire ropes with high strength and smaller diameter.

Type designation



Please give the following data when placing order:

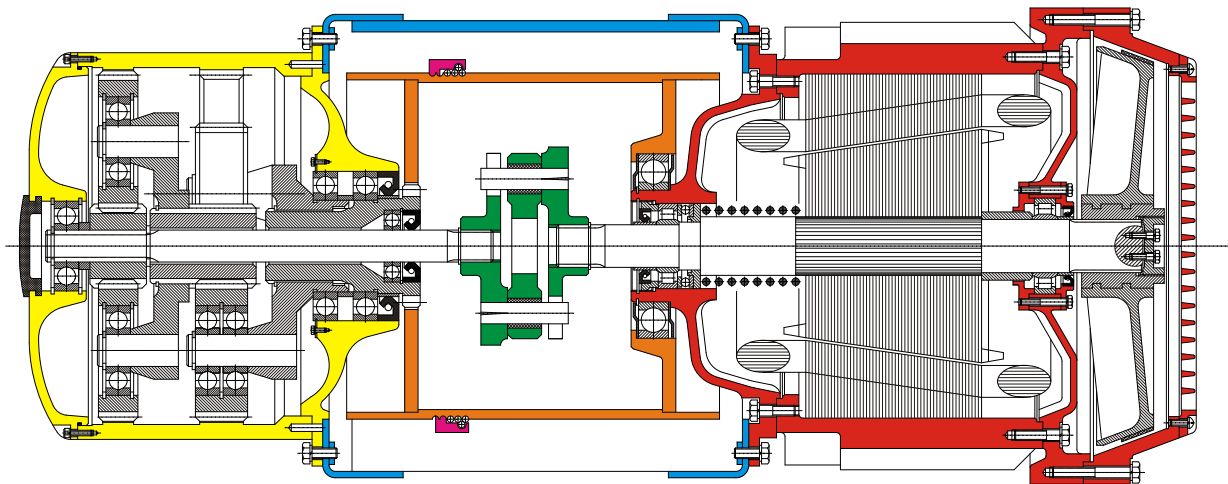
- | | | | | | |
|--------------------------|----------------------|---|----------------------------------|---------|---------------------------------|
| 1. Power circuit | - voltage | - | <input type="text"/> | V | |
| | - frequency | - | <input type="text"/> | Hz | |
| 2. Control circuit | - voltage | - | <input type="text"/> | V | |
| | - frequency | - | <input type="text"/> | Hz | |
| 3. Required | - load limiter | - | <input type="text" value="yes"/> | or | <input type="text" value="no"/> |
| | - emergency stop | - | <input type="text" value="yes"/> | or | <input type="text" value="no"/> |
| | - thermal protection | - | <input type="text" value="yes"/> | or | <input type="text" value="no"/> |
| | - latch-key | - | <input type="text" value="yes"/> | or | <input type="text" value="no"/> |
| 4. Climatic modification | - normal N-II | - | <input type="text" value="yes"/> | or | <input type="text" value="no"/> |
| | - tropical T-II | - | <input type="text" value="yes"/> | or | <input type="text" value="no"/> |
| | - marine execution | - | <input type="text" value="yes"/> | or | <input type="text" value="no"/> |
| 5. Monorail trolley | - travelling speed | - | <input type="text"/> | m/min | |
| | - rail width - b | - | <input type="text"/> | mm | |
| | - runway radius | - | <input type="text"/> | m | |
| 6. Double rail trolley | - travelling speed | - | <input type="text"/> | m/min | |
| | - rail distance | - | <input type="text"/> | mm | |
| | - rail - b x h | - | <input type="text" value="x"/> | mm x mm | |

Travelling speeds*

Trolley	Speed (m/min)						
	one speed			two speeds			
EK N	10	16	20	32	16/5	20/6	32/10
EK K	12	16	20	—	12/3	16/4	20/5
EK D	10	16	20	30	10/3	16/5	20/6

* Standard travelling speed - 20 m/min.

Description of the electric hoist



Hoisting motor

Electric motor with conical rotor and conical stator as well as asbestos free conical brake. Easy axial moving possibility of the rotor. Reliable brake activation from spiral spring impact in case of electric power breakdown. Creep speed of the motor. The wide range combinations of motors and gear units expand the range of available goods and lifting speeds.

Gear unit

Two-stage heliocentric gear unit assembled to opposite side of the motor. High quality materials are used. Suitable hardening and grinding of gear wheels teeth surfaces ensures their long life, noiseless operation and high coefficient of gear unit's efficiency.

Drum

Equipped with helical grooves for the wire rope and efficacious rope guide, which ensures reliable arrangement of the rope in drum's grooves. The front motor flange by means of ball bearing supports one of the drum's diaphragms. The torque from the gear unit to the second drum's diaphragm is transmitted through grooved hollow shaft.

Rope guide

New made construction. No special tools are required for the replacement of the rope guide. Ensures precise rope winding and unwinding. Possibility for rope deviation $\pm 4^\circ$. Actuates the end limit switch in upper and bottom position of the hook.

Block-hook

The block hook and the purchase block are entirely new constructions, corresponding to the modern technical safety requirements. Ensures easy operation with minimum dead weight. Protection against the rope getting out of the rope rolls is also ensured.

Body

The body is completely new construction in box form. Represents a robust welded construction as a flange connection between the motor and gear unit. Wire rope's outlet in all possible radial directions permits the realization of different assembly versions and positions.

Rubber packed coupler

This is flexible coupler as a joint unit between the hoisting motor and gear unit. The coupler works as a shock - absorber and ensures resistance free motor's shaft axial replacement. Sure connection between the motor and the gear unit is warranted.

Trolleys

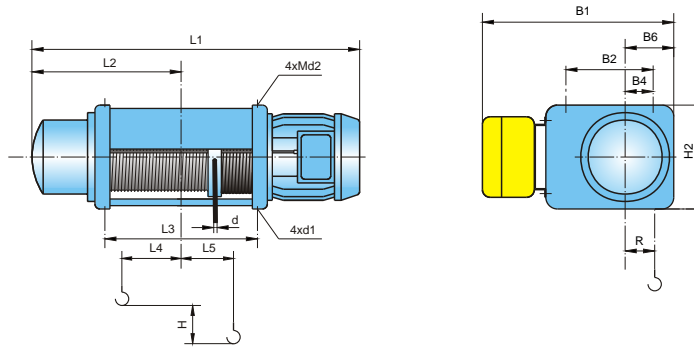
Three types of trolleys are available: monorail trolley with standard headroom (N), monorail trolley with reduced headroom (K) and double rail trolley (D).

The hoist is hanged up or mounted to the trolley in the best position, ensuring optimum load distribution on the travel wheels. The trolley could be also electric (EK), hand geared (RK) or push travel (SK). Drive unit the same type as a main unit of the hoist powers the electric trolley. Normal drive unit with electromagnetic brake is available. The traveling speeds are in very wide range. Stage less fitness in accordance with the width of the monorail traveling track is submitted to correct work of the trolleys. In case of double rail trolley the purchaser gives the rail's distance.

Electric equipment

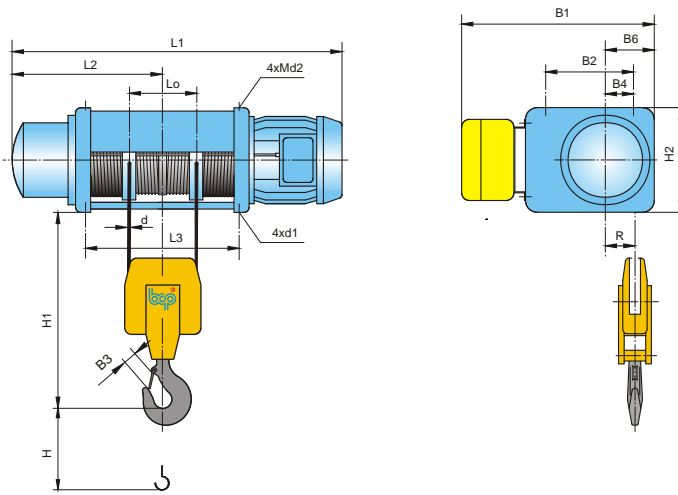
Power circuit voltage and frequency are at purchaser's request. Control voltage to relays and contactors is 24 or 42V, frequency 50 and 60Hz. The most part of electric equipment is assembled in command box, fastened to the body or to other appropriate part. Terminal box of the motor holds end limit switch.

Stationary electric wire rope hoist - Reeving 1/1



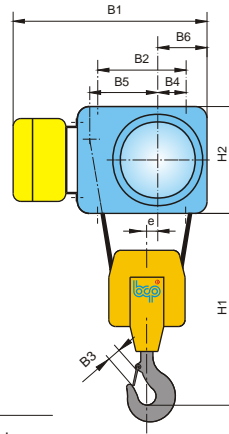
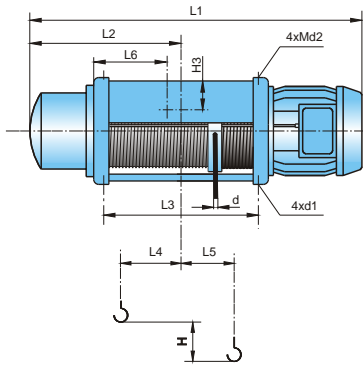
Type	Lifting height, H, m	Size of drums, table 1	Capacity, kg	General dimensions, mm																								
				L1				L2	L3	L4	L5	B1	B2	B4	B6	H2	R	d	d1	d2								
				V1	V1/M1	V2	V2/M2																					
MH 3-05	12	01	500	720	760	720	760	320	224	93	77	580	295	105	159	321	90	7	15	M14								
	19	02		825	865	825	865	370	329	145	130																	
	26,5	03		925	965	925	965	420	429	195	180																	
	40,5	04		1125	1165	1125	1165	520	629	295	280																	
	54,5	05		1325	1365	1325	1365	620	829	395	380																	
MHM 4-05	72,5	05	1425	1495	1425	1495	670	841	393	377	650	325	127,5	184	366	120,5	7	17	M20									
	81	05	1530	1615	1560	1615	715	931	438	422	650	325	127,5	184	366	120,5	7	17	M20									
MHM 5-05	102	06	1750	1835	1780	1835	825	1151	548	532	650	325	127,5	184	366	120,5	7	17	M20									
	12	01	720	760	-	-	320	224	93	77	580	295	105	159	321	90	7	15	M14									
19	02	825	865	-	-	370	329	145	130																			
26,5	03	925	965	-	-	420	429	195	180																			
40,5	04	1125	1165	-	-	520	629	295	280																			
54,5	05	1325	1365	-	-	620	829	395	380																			
MH 3-08	10	01	800	815	885	-	-	365	231	89	61	650	325	127,5	184	366	122	10	17	M20								
	17	02		925	995	-	-	420	341	144	116																	
	24	03		1025	1095	-	-	470	441	194	166																	
	37	04		1225	1295	-	-	570	641	294	266																	
	50,5	05		1425	1495	-	-	670	841	394	366																	
MHM 4-10	67,5	05	1540	1630	1575	1630	715	873	403	382	760	390	157	220	432	157,5	10	21	M24									
	76,5	06	1645	1735	1680	1735	770	978	456	434																		
	91,5	07	1820	1910	1855	1910	860	1153	543	522																		
	10	01	815	885	-	-	365	231	89	61										650	325	127,5	184	366	122	10	17	M20
	17	02	925	995	-	-	420	341	144	116																		
24	03	1025	1095	-	-	470	441	194	166																			
37	04	1225	1295	-	-	570	641	294	266																			
50,5	05	1425	1495	-	-	670	841	394	366																			
MH 6-10	9,5	01	1600	860	945	890	945	380	261	102	76	650	325	127,5	184	366	123	12	17	M20								
	16,5	02		980	1065	1010	1065	440	381	164	136																	
	34,5	04		1310	1395	1340	1395	605	711	329	301																	
	46,5	05		1530	1615	1560	1615	715	931	439	411																	
	59	06		1750	1835	1780	1835	825	1151	549	521																	
MHM 5-16	55,5	05	1540	1630	1575	1630	715	873	403	382	760	390	157	220	432	158,5	12	21	M24									
	63	06	1645	1735	1680	1735	770	978	456	434																		
	75,5	07	1820	1910	1855	1910	860	1153	543	522																		
	9,5	01	890	945	-	-	380	261	102	76										650	325	127,5	184	366	123	12	21	M24
	16,5	02	1010	1065	-	-	440	381	164	136																		
22,5	03	1120	1175	-	-	495	491	219	191																			
34,5	04	1340	1395	-	-	605	711	329	301																			
46,5	05	1560	1615	-	-	715	931	439	411																			
MHM 5-25	59	06	1780	1835	-	-	825	1151	549	521	760	390	157	220	432	160	15	21	M24									
	14,5	02	1015	1105	1050	1105	445	348	146	109										900	475	186,5	270	530	178,5	15	25	M27
	20,5	03	1120	1210	1155	1210	505	453	198	162																		
	33	04	1330	1420	1365	1420	610	663	303	267																		
	45	05	1540	1630	1575	1630	715	873	407	372																		
51	06	1645	1735	1680	1735	770	978	461	424																			
MH 6-25	61,5	07	1820	1910	1855	1910	860	1153	548	512	900	475	186,5	270	530	178,5	15	25	M27									
	66,5	06	1890	1925	-	-	890	1143	531	499																		
	80	07	2100	2135	-	-	995	1353	636	604																		
	14,5	02	1050	1105	-	-	445	348	146	109										760	390	157	220	432	160	15	25	M27
	20,5	03	1155	1210	-	-	505	453	198	162																		
33	04	1365	1420	-	-	610	663	303	267																			
45	05	1575	1630	-	-	715	873	407	372																			
51	06	1680	1735	-	-	770	978	461	424																			
MH 6-32	61,5	07	1855	1910	-	-	860	1153	548	512	900	475	186,5	270	530	180	18	25	M27									
	15,5	02	1140	1175	-	-	515	393	158	117										900	475	186,5	270	530	180	18	25	M27
	24,5	03	1300	1335	-	-	595	553	238	197																		
	33,5	04	1460	1495	-	-	675	713	318	277																		
	45,5	05	1675	1710	-	-	785	928	426	384																		
57,5	06	1890	1925	-	-	890	1143	533	492																			
MH 7-40	69,5	07	2100	2135	-	-	995	1353	638	597	900	475	186,5	270	530	180	18	25	M27									
	15,5	02	1200	1230	-	-	570	393	158	117										900	475	186,5	270	530	180	18	25	M27
	24,5	03	1360	1390	-	-	650	553	238	197																		
	33,5	04	1520	1550	-	-	730	713	318	277																		
	45,5	05	1735	1765	-	-	840	928	426	384																		
57,5	06	1950	1980	-	-	945	1143	533	492																			
MH 7-50	69,5	07	2160	2190	-	-	1050	1353	638	597	900	475	186,5	270	530	180	18	25	M27									
	14	02	1200	1230	-	-	570	393	158	117										900	475	186,5	270	530	185	20	31	-
	22	03	1360	1390	-	-	650	553	238	197																		
	30,5	04	1520	1550	-	-	730	713	318	277																		
	42	05	1735	1765	-	-	840	928	426	384																		
53,5	06	1950	1980	-	-	945	1143	533	492																			
MH 7-63	64,5	07	2160	2190	-	-	1050	1353	638	597	900	475	186,5	270	530	185	20	31	-									
	11,5	02	1200	1230	-	-	570	393	158	117										900	475	186,5	270	530	186	22	31	-
	19	03	1360	1390	-	-	650	553	238	197																		
	26,5	04	1520	1550	-	-	730	713	318	277																		
	36,5	05	1735	1765	-	-	837,5	928	426	384																		
47	06	1950	1980	-	-	945	1143	533	492																			
MH 7-80	56,5	07	2160	2190	-	-	1050	1353	638	597	900	475	186,5	270	530	186	22	31	-									
	66,5	08	2370	2400	-	-	1155	1563	743	702																		
	77	09	2600	2630	-	-	1270	1793	858	817																		

Stationary electric wire rope hoist - Reeving 2/2



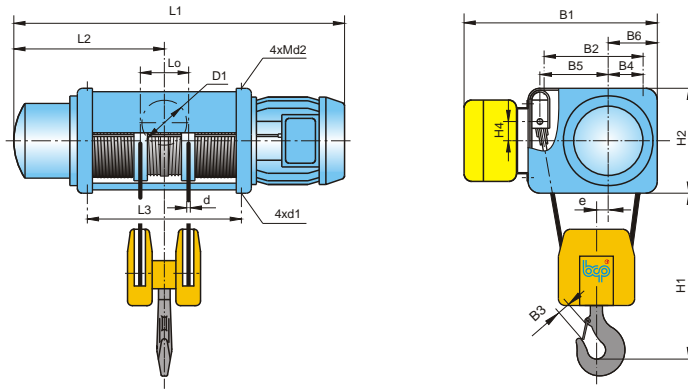
Type	Lifting height, H, m	Size of drums, table 1	Capacity, kg	General dimensions, mm																													
				L1				L2	L3	Lo min	B1	B2	B3	B4	B6	H1	H2	R	d	d1	d2												
				V1	V1/M1	V2	V2/M2																										
MH 3-05	11 03	03	500	925	965	925	965	420	429	110	580	295	34	105	159	450	321	89	5	15	M14												
	20,5 04	04		1125	1165	1125	1165	520	629																								
	29,5 05	05		1325	1365	1325	1365	620	829																								
MHM 4-05	15 03	03	1000	1025	1095	1025	1095	470	441	110	650	325	34	127,5	184	450	366	119,5	5	17	M20												
MHM 5-05	31,5 04	04		1310	1395	1340	1395	605	711													110	650	325	34	127,5	184	450	366	119,5	5	17	M20
MH 3-08	11 03	03		800	925	965	-	-	420													429	110	580	295	34	105	159	450	321	89	5	15
20,5 04	04	1125	1165	-	-	520	629																										
29,5 05	05	1325	1365	-	-	620	829																										
MHM 4-10	10 03	03	1000	1025	1095	1025	1095	470	441	110	650	325	34	127,5	184	450	366	120,5	7	17	M20												
	19,5 04	04		1225	1295	1225	1295	570	641																								
	29 05	05		1425	1495	1425	1495	670	841																								
MH 6-10	39,5 05	05	1600	1540	1630	1575	1630	715	873	110	760	390	34	157	220	450	432	156	7	21	M24												
	46,5 06	06		1645	1735	1680	1735	770	978																								
	56,5 07	07		1820	1910	1855	1910	860	1153																								
MHM 4-16	10 03	03	1600	1025	1095	-	-	470	441	110	650	325	40	127,5	184	550	366	120,5	7	17	M20												
	19,5 04	04		1225	1295	-	-	570	641																								
	29 05	05		1425	1495	-	-	670	841																								
MHM 5-16	7 03	03	1600	1090	1175	1120	1175	495	491	155	650	325	40	127,5	184	550	366	122	10	17	M20												
	14,5 04	04		1310	1395	1340	1395	605	711																								
	22 05	05		1530	1615	1560	1615	715	931																								
MH 6-16	29 06	06	1600	1750	1835	1780	1835	825	1151	155	650	325	40	127,5	184	550	366	122	10	17	M20												
	25,5 05	05		1540	1630	1575	1630	715	873																								
	30,5 06	06		1645	1735	1680	1735	770	978																								
MH 6-16	37,5 07	07	1600	1820	1910	1855	1910	860	1153	155	650	325	40	127,5	184	550	366	122	10	17	M20												
	7 03	03		1120	1175	-	-	495	491																								
	14,5 04	04		1340	1395	-	-	605	711																								
MHM 5-25	22 05	05	2500	1560	1615	-	-	715	931	155	650	325	45	127,5	184	620	366	122	10	21	M24												
	29 06	06		1780	1835	-	-	825	1151																								
	11,5 04	04		1330	1420	1365	1420	610	663																								
MH 6-25	19 05	05	2500	1540	1630	1575	1630	715	873	200	760	390	45	157	220	620	432	158,5	12	21	M24												
	22,5 06	06		1645	1735	1680	1735	770	978																								
	29 07	07		1820	1910	1855	1910	860	1153																								
MH 7-25	31 06	06	2500	1890	1925	-	-	890	1143	200	900	475	45	186,5	270	620	530	177	12	25	M27												
	39,5 07	07		2100	2135	-	-	995	1353																								
	11,5 04	04		1365	1420	-	-	610	663																								
MH 6-32	19 05	05	3200	1575	1630	-	-	715	873	200	760	390	45	157	220	620	432	158,5	12	25	M27												
	22,5 06	06		1680	1735	-	-	770	978																								
	29 07	07		1855	1910	-	-	860	1153																								
MH 7-40	10 04	04	4000	1460	1495	-	-	675	713	240	900	475	50	186,5	270	710	530	178,5	15	25	M27												
	16,5 05	05		1675	1710	-	-	785	928																								
	24 06	06		1890	1925	-	-	890	1143																								
MH 7-50	30,5 07	07	5000	2100	2135	-	-	995	1353	240	900	475	50	186,5	277	710	558	178,5	15	31	-												
	10 04	04		1520	1550	-	-	730	713																								
	16,5 05	05		1735	1765	-	-	840	928																								
MH 7-63	24 06	06	6300	1950	1980	-	-	945	1143	240	900	475	50	186,5	277	710	558	178,5	15	31	-												
	30,5 07	07		2160	2190	-	-	1050	1353																								
	10 04	04		1520	1550	-	-	730	713																								
MH 7-80	17 05	05	8000	1735	1765	-	-	837,5	928	240	900	475	50	186,5	277	710	558	178,5	15	31	-												
	24,5 06	06		1950	1980	-	-	945	1143																								
	31,5 07	07		2160	2190	-	-	1050	1353																								
MH 7-80	38 08	08	8000	2370	2400	-	-	1155	1563	240	900	475	50	186,5	277	710	558	178,5	15	31	-												
	46 09	09		2600	2630	-	-	1270	1793																								
	10 04	04		1520	1550	-	-	730	713																								

Stationary electric wire rope hoist - Reeving 2/1



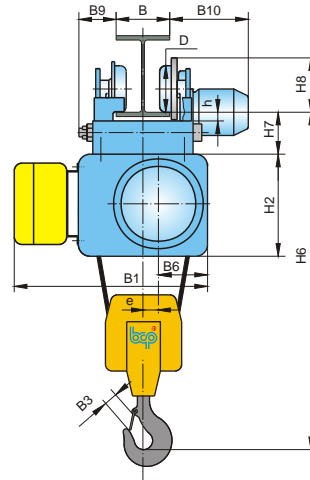
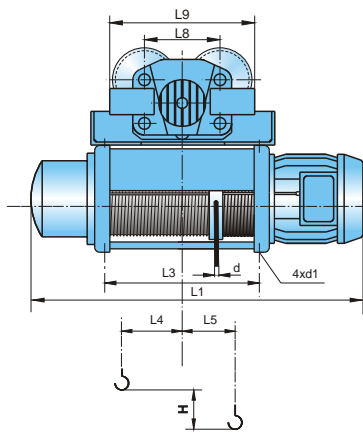
Type	Lifting height, H, m	Size of drums, table 1	Capacity, kg	General dimensions, mm																					
				L1				L2	L3	L4	L5	L6	B1	B2	B3	B4	B5	B6	H1	H2	H3	d	d1	d2	e
				V1	V1/M1	V2	V2/M2																		
MH 3-05	6	01	1000	720	760	720	760	320	224	45	40	145	580	295	34	105	190,5	159	450	321	73	7	15	M14	50
	9,5	02		825	865	825	865	370	329	95															
	13	03		925	965	925	965	420	429	95															
	20	04		1125	1165	1125	1165	520	629	195															
	27	05		1325	1365	1325	1365	620	829	295															
MHM 4-05	36	05	1425	1495	1425	1495	670	841	307	74	240	650	325	34	127,5	199	184	450	366	90	7	17	M20	35	
	40,5	05	1530	1615	1560	1615	715	931	345																
MHM 5-05	51	06	1750	1835	1780	1835	825	1151	455	79	240	650	325	34	127,5	199	184	450	366	90	7	17	M20	35	
MH 3-08	6	01	1600	720	760	-	-	320	224	45	40	145	580	295	40	105	190,5	159	550	321	73	7	15	M14	50
	9,5	02		825	865	-	-	370	329	95															
	13	03		925	965	-	-	420	429	95															
	20	04		1125	1165	-	-	520	629	195															
	27	05		1325	1365	-	-	620	829	295															
MHM 4-10	5	01	2000	815	885	815	885	365	231	52	27	140	650	325	40	127,5	199	184	550	366	96	10	17	M20	35
	8,5	02		925	995	925	995	420	341	107															
	12	03		1025	1095	1025	1095	470	441	107															
	18,5	04		1225	1295	1225	1295	570	641	207															
	25	05		1425	1495	1425	1495	670	841	307															
MH 6-10	33,5	05	1540	1630	1575	1630	715	873	316	73	250	760	390	40	157	235	220	550	432	116	10	21	M24	38	
	38	06	1645	1735	1680	1735	770	978	367																
	45,5	07	1820	1910	1855	1910	860	1153	455																
MHM 4-16	5	01	3200	815	885	-	-	365	231	52	27	140	650	325	45	127,5	199	184	620	366	96	10	17	M20	35
	8,5	02		925	995	-	-	420	341	107															
	12	03		1025	1095	-	-	470	441	107															
	18,5	04		1225	1295	-	-	570	641	207															
	25	05		1425	1495	-	-	670	841	307															
MHM 5-16	5	01	3200	860	945	890	945	380	261	60	29	150	650	325	45	127,5	199	184	620	366	86	12	17	M20	35
	8	02		980	1065	1010	1065	440	381	120															
	11	03		1090	1175	1120	1175	495	491	125															
	17	04		1310	1395	1340	1395	605	711	235															
	23	05		1530	1615	1560	1615	715	931	345															
MH 6-16	29,5	06	1750	1835	1780	1835	825	1151	455	79	250	760	390	40	157	235	220	550	432	116	10	21	M24	38	
	27,5	05	1540	1630	1575	1630	715	873	316																
	31,5	06	1645	1735	1680	1735	770	978	367																
	37,5	07	1820	1910	1855	1910	860	1153	455																
MHM 5-25	5	01	5000	890	945	-	-	380	261	60	29	150	650	325	50	127,5	199	184	710	366	86	12	21	M24	35
	11	03		1120	1175	-	-	495	491	125															
	17	04		1340	1395	-	-	605	711	235															
	23	05		1560	1615	-	-	715	931	345															
	29,5	06		1780	1835	-	-	825	1151	455															
MH 6-25	7	02	1015	1105	1050	1105	445	348	104	23	154	760	390	50	157	235	220	710	432	110	15	25	M27	55	
	10,5	03	1120	1210	1155	1210	505	453	106																
	16,5	04	1330	1420	1365	1420	610	663	211																
	22,5	05	1540	1630	1575	1630	715	873	316																
	25,5	06	1645	1735	1680	1735	770	978	367																
MH 7-25	30,5	07	1820	1910	1855	1910	860	1153	455	104	340	900	475	50	186,5	290,5	270	710	530	162	15	25	M27	55	
	33	06	1890	1925	-	-	890	1143	408																
	40	07	2100	2135	-	-	995	1353	512																
MH 6-32	7	02	1050	1105	-	-	445	348	104	23	154	760	390	56	157	235	220	840	432	110	15	25	M27	38	
	10,5	03	1155	1210	-	-	505	453	106																
	16,5	04	1365	1420	-	-	610	663	211																
	22,5	05	1575	1630	-	-	715	873	316																
	25,5	06	1680	1735	-	-	770	978	367																
MH 7-40	30,5	07	1855	1910	-	-	860	1153	455	104	340	900	475	56	186,5	290,5	270	840	530	157	18	25	M27	55	
	7,5	02	1140	1175	-	-	515	393	82																
	12	03	1300	1335	-	-	595	553	162																
	16,5	04	1460	1495	-	-	675	713	192																
	22,5	05	1675	1710	-	-	785	928	300																
MH 7-50	29	06	1890	1925	-	-	890	1143	408	104	340	900	475	71	186,5	290,5	277	965	558	157	18	31	-	55	
	34,5	07	2100	2135	-	-	995	1353	512																
	7,5	02	1200	1230	-	-	570	393	82																
	12	03	1360	1390	-	-	650	553	162																
	16,5	04	1520	1550	-	-	730	713	192																
MH 7-63	22,5	05	1735	1765	-	-	840	928	300	104	340	900	475	71	186,5	290,5	277	965	558	157	20	31	-	55	
	29	06	1950	1980	-	-	945	1143	408																
	34,5	07	2160	2190	-	-	1050	1353	512																
	7	02	1200	1230	-	-	570	393	82																
	11	03	1360	1390	-	-	660	553	162																
MH 7-80	15	04	1520	1550	-	-	730	713	192	104	340	900	475	71	186,5	290,5	277	965	558	157	22	31	-	55	
	21	05	1735	1765	-	-	840	928	300																
	26,5	06	1950	1980	-	-	945	1143	408																
	28	07	2160	2190	-	-	1050	1353	512																
	33	08	2370	2400	-	-	1155	1563	617																
38,5	09	2600	2630	-	-	1270	1793	732																	

Stationary electric wire rope hoist - Reeving 4/2



Type	Lifting height, H, m	Size of drums, table 1	Capacity, kg	General dimensions, mm																				
				L1				L2	L3	Lo min	B1	B2	B3	B4	B5	B6	H1	H2	H4	D1	d	d1	d2	e
				V1	V1/M1	V2	V2/M2																	
MH 3-05	10	04	1000	1125	1165	1125	1165	520	629	110	650	295	40	105	190,5	159	415	321	75	100	5	15	M14	50
	14,5	05		1325	1365	1325	1365	620	829															
	MHM 4-05	7,5		03	1025	1095	1025	1095	470															
MHM 5-05	15,5	04	1310	1395	1340	1395	605	711	110	730	325	40	127,5	199	184	415	366	91	100	5	17	M20	35	
MH 3-08	10	04	1125	1165	-	-	520	629																
14,5	05	1325	1365	-	-	620	829																	
MHM 4-10	9,5	04	2000	1225	1295	1225	1295	570	641	110	730	325	40	127,5	199	184	415	366	91	140	7	17	M20	35
	14,5	05		1425	1495	1425	1495	670	841															
	19,5	05		1540	1630	1575	1630	715	873															
MH 6-10	23	06	3200	1645	1735	1680	1735	770	978	110	850	390	40	157	235	220	415	432	117	140	7	21	M24	38
	28,5	07		1820	1910	1855	1910	860	1153															
	MHM 4-16	9,5		04	1225	1295	-	-	570															
14,5	05	1425	1495	-	-	670	841	110	730	325	45	127,5	199	184	445	366	91	140	7	17	M20	35		
7	04	1310	1395	1340	1395	605	711																	
MHM 5-16	11	06	1530	1615	1560	1615	715																931	
14,5	06	1750	1835	1780	1835	825	1151	155	730	325	45	127,5	199	184	445	366	101	200	10	17	M20	35		
12,5	05	1540	1630	1575	1630	715	873																	
MH 6-16	15	06	1645	1735	1680	1735	770																978	
18,5	07	1820	1910	1855	1910	860	1153	155	850	390	45	157	235	220	445	432	117	220	10	21	M24	38		
MHM 5-25	7	04	1340	1395	-	-	605																711	
11	05	1560	1615	-	-	715	931																	
14,5	06	1780	1835	-	-	825	1151	155	730	325	50	127,5	199	184	525	366	101	200	10	21	M24	35		
9,5	05	1540	1630	1575	1630	715	873																	
MH 6-25	11	06	1645	1735	1680	1735	770																978	
14,5	07	1820	1910	1855	1910	860	1153	200	850	390	50	157	235	220	525	432	117	240	12	21	M24	38		
15,5	06	1890	1925	-	-	890	1143																	
MH 7-25	19,5	07	2100	2135	-	-	995																1353	
9,5	05	1575	1630	-	-	715	873	200	850	390	56	157	235	220	565	432	117	240	12	25	M27	38		
11	06	1680	1735	-	-	770	978																	
14,5	07	1855	1910	-	-	860	1153																	
MH 7-40	5	04	8000	1460	1495	-	-	675	713	240	1000	475	56	186,5	290,5	270	565	530	128	300	15	25	M27	55
	8	05		1675	1710	-	-	785	928															
	12	06		1890	1925	-	-	890	1143															
15	07	2100	2135	-	-	995	1353	240	1000	475	71	186,5	290,5	277	695	558	128	300	15	31	-	55		
5	04	1520	1550	-	-	730	713																	
MH 7-50	8	05	1735	1765	-	-	840																928	
12	06	1950	1980	-	-	945	1143	240	1000	475	71	186,5	290,5	277	695	558	128	300	15	31	-	55		
15	07	2160	2190	-	-	1050	1353																	
MH 7-63	5	04	1520	1550	-	-	730																713	
8,5	05	1735	1765	-	-	840	928	240	1000	475	71	186,5	290,5	277	695	558	128	300	15	31	-	55		
12	06	1950	1980	-	-	945	1143																	
15,5	07	2160	2190	-	-	1050	1353																	
MH 7-80	5	04	16000	1520	1550	-	-	730	713	240	1000	475	71	186,5	290,5	277	695	558	128	300	15	31	-	55
	8,5	05		1735	1765	-	-	837,5	928															
	12	06		1950	1980	-	-	945	1143															
	15,5	07		2160	2190	-	-	1050	1353															
	19	08		2370	2400	-	-	1155	1563															
23	09	2600	2630	-	-	1270	1793																	

Monorail trolley, standard headroom - Reeving 2/1

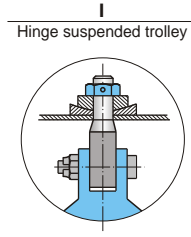
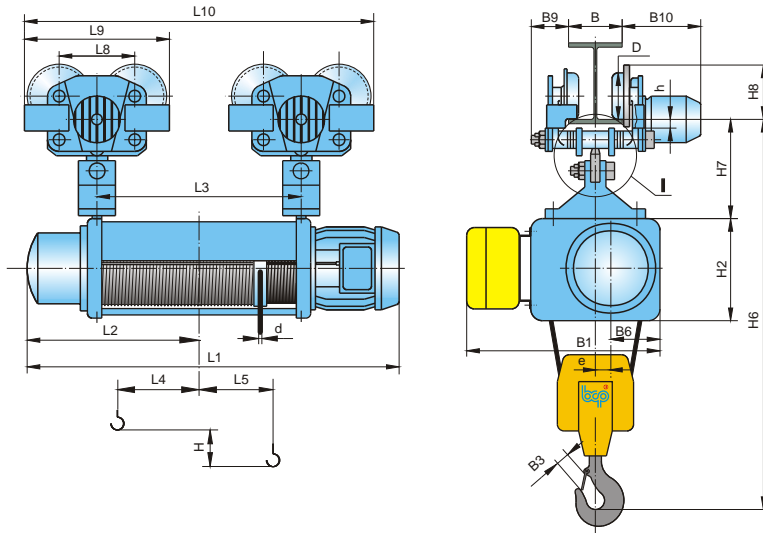


Type	Lifting height, H, m	Size of drums, table 1	Capacity, kg	General dimensions, mm																						
				L1				L3	L4	L5	L8	L9	B	B1	B3	B6	B _{max}	B _{10max}	H2	H6	H7	H8	D	d	e	h
				V1	V1/M1	V2	V2/M2																			
MH 3-05	6	01	1000	720	760	720	760	224	45	40																
	9,5	02		825	865	825	865	329	95	90	215	400	90 ... 130	580	34	159	100	310	321	901	130	138	100	7	50	45
	13	03		925	965	925	965	429	95	90			131 ... 300													
MH 3-08	6	01	1600	720	760	-	-	224	45	40																
	9,5	02		825	865	-	-	329	95	90	240	450	90 ... 130	580	40	159	115	360	321	1000	157,5	155	125	7	50	47,5
	13	03		925	965	-	-	429	95	90			131 ... 300													
MHM 4-10	5	01	2000	815	885	815	885	231	52	27																
	8,5	02		925	995	925	995	341	107	74	240	450	130 ... 150	650	40	184	115	360	366	1074	157,5	155	125	10	35	47,5
	12	03		1025	1095	1025	1095	441	107	74			151 ... 300													
MHM 4-16	5	01	3200	815	885	-	-	231	52	27																
	8,5	02		925	995	-	-	341	107	74	240	450	130 ... 150	650	45	184	115	360	366	1144	157,5	155	125	10	35	47,5
	12	03		1025	1095	-	-	441	107	74			151 ... 300													
MHM 5-16	5	01	5000	860	945	890	945	261	60	29																
	8	02		980	1065	1010	1065	381	120	79	280	520	130 ... 150	650	45	184	115	360	366	1144	157,5	155	125	12	35	47,5
	11	03		1090	1175	1120	1175	491	125	79			151 ... 300													
MHM 5-25	5	01	5000	890	945	-	-	261	60	29																
	8	02		1010	1065	-	-	381	120	79	280	520	130 ... 150	650	50	184	120	365	366	1234	175	187	160	12	35	43
	11	03		1120	1175	-	-	491	125	79			151 ... 300													
MH 6-25	7	02	5000	1015	1105	1050	1105	348	104	23																
	10,5	03		1120	1210	1155	1210	453	106	73	280	520	130 ... 150	760	50	220	120	365	432	1317	175	187	160	15	38	43

Minimum railway radius R_{min}, mm

Type	R _{min}
100	1500
125	2500
160	3500
210	4500
250	5500

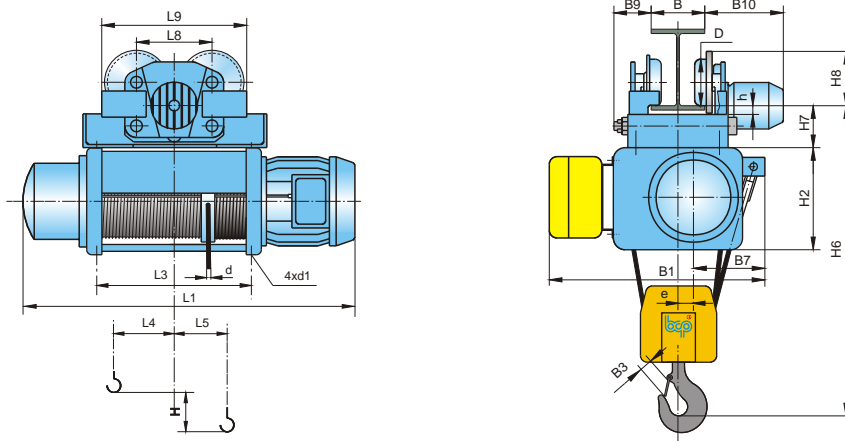
Monorail trolley, standard headroom - Reeving 2/1



- 1) The data given with * are to be considered for stiff suspended trolley
- 2) The data given with ** are to be considered for hinge suspended trolley
- 3) Minimum railway radius R_{min} - see p.14

Type	Lifting height, H, m	Size of drums, table 1	Capacity, kg	General dimensions, mm																												
				L1				L2	L3	L4	L5	L8	L9	L10	B	B1	B3	B6	B9 _{max}	B10 _{max}	H2	H6		H7		H8	D	d	e	h		
				V1	V1/M1	V2	V2/M2															*	**	*	**					*	**	
																																*
MH 3-05	20	04	1000	1125	1165	1125	1165	520	629	195	90	215	400	1029	130...150 151...300	580	34	159	100	310	321	339	986	168	215	132	100	7	50	45	46	
	27	05		1325	1365	1325	1365	620	829	295	1229																					
MHM 4-05	36	05	1000	1425	1495	1425	1495	670	841	307	74	240	450	1291	130...150 151...300	650	34	184	115	360	366	1012	1079	196	263	155	125	7	35	42.5	34.5	
MHM 5-05	40.5	05		1530	1615	1560	1615	715	931	345	1381																					
	51	06	1750	1835	1780	1835	825	1151	455	1601																						
MH 3-08	20	04	1600	1125	1165	-	-	520	629	195	90	215	400	1029	90...130 131...300	580	40	159	100	310	321	1039	1086	168	215	132	100	7	50	45	46	
	27	05		1325	1365	-	-	620	829	295	1229																					
MHM 4-10	18.5	04	2000	1225	1295	1225	1295	570	641	207	74	240	450	1091	130...150 151...300	650	40	184	115	360	366	1112	1179	196	263	155	125	10	35	42.5	34.5	
	25	05		1425	1495	1425	1495	670	841	307	1291																					
MH 6-10	33.5	05	2000	1540	1630	1575	1630	715	873	316	73	240	450	1323	130...150 151...300	760	40	220	115	360	432	1193	1260	211	278	155	125	10	38	42.5	34.5	
	38	06		1645	1735	1680	1735	770	978	367	1428																					
	45.5	07	1820	1910	1855	1910	860	1153	455	1603																						
MHM 4-16	18.5	04	3200	1225	1295	-	-	570	641	207	74	240	450	1091	130...150 151...300	650	45	184	115	360	366	1182	1249	196	263	155	125	10	35	42.5	34.5	
	25	05		1425	1495	-	-	670	841	307	1291																					
MHM 5-16	17	04	3200	1310	1395	1340	1395	605	711	235	1161				130...150 151...300	650	45	184	115	360	366	1182	1249	196	263	155	125	12	10	35	42.5	34.5
	23	05		1530	1615	1560	1615	715	931	345	1381																					
MH 6-16	29.5	06	3200	1750	1835	1780	1835	825	1151	455	1601				130...150 151...300	760	45	220	115	360	432	1263	1330	211	278	155	125	12	10	38	42.5	34.5
	31.5	06		1540	1630	1575	1630	715	873	316	1323																					
	37.5	07	1820	1910	1855	1910	860	1153	455	1603																						
MHM 5-25	17	04	5000	1340	1395	-	-	605	711	235	1161				130...150 151...300	650	50	184	115	360	366	1272	1339	196	263	155	125	12	35	42.5	34.5	
	23	05		1560	1615	-	-	715	931	345	1381																					
MH 6-25	29.5	06	5000	1780	1835	-	-	825	1151	455	1601				130...150 151...300	760	50	220	115	360	432	1353	1420	211	278	155	125	15	13	38	42.5	34.5
	30.5	07		1330	1420	1385	1420	610	663	211	1113																					
MH 7-25	16.5	04	5000	1540	1630	1575	1630	715	873	316	73	240	450	1323	130...150 151...300	760	50	220	115	360	432	1353	1420	211	278	155	125	15	13	38	42.5	34.5
	22.5	05		1645	1735	1680	1735	770	978	367	1428																					
MH 7-25	25.5	06	5000	1820	1910	1855	1910	860	1153	455	1603				130...150 151...300	900	50	270	115	360	530	1493	1600	253	360	187	125	15	13	55	45	44
	33	06		1890	1925	-	-	890	1143	408	1663																					
	40	07	2100	2135	-	-	995	1353	512	1873																						
MH 6-32	16.5	04	6300	1365	1420	-	-	610	663	211	1113				130...150 151...300	760	56	220	115	360	432	1483	1550	211	278	155	125	15	38	42.5	34.5	
	22.5	05		1575	1630	-	-	715	873	316	1323																					
MH 7-40	25.5	06	8000	1680	1735	-	-	770	978	367	1428				130...150 151...300	900	56	270	120	365	530	1623	1730	253	360	187	160	18	15	55	45	44
	30.5	07		1855	1910	-	-	860	1153	455	1603																					
MH 7-40	12	03	8000	1300	1335	-	-	595	553	162	54				130...150 151...300	900	56	270	120	365	530	1623	1730	253	360	187	160	18	15	55	45	44
	16.5	04		1460	1495	-	-	675	713	192	1233																					
MH 7-50	22.5	05	10000	1675	1710	-	-	785	828	300	104				130...150 151...300	900	56	270	120	365	530	1623	1730	253	360	187	160	18	15	55	45	44
	29	06		1890	1925	-	-	890	1143	408	1448																					
	34.5	07	2100	2135	-	-	995	1353	512	1873																						
MH 7-50	12	03	10000	1360	1390	-	-	650	553	162	54				130...150 151...300	900	71	270	120	365	558	1723	1830	253	360	187	160	18	15	55	45	44
	16.5	04		1520	1550	-	-	730	713	192	1233																					
MH 7-63	22.5	05	12500	1735	1765	-	-	840	928	300	104				130...150 151...300	900	71	270	216	365	558	1723	-	405	-	232	210	20	18	55	45	-
	26.5	06		1950	1980	-	-	945	1143	408	1448																					
MH 7-80	32	07	16000	2160	2190	-	-	1050	1353	512	104				130...150 151...300	900	71	270	223	365	558	1723	-	405	-	300	250	22	55	45	-	
	37.5	08		2370	2400	-	-	1155	1563	617	2153																					
MH 7-80	9.5	03	16000	1360	1390	-	-	650	553	162	54				130...150 151...300	900	71	270	223	365	558	1723	-	405	-	300	250	22	55	45	-	
	13	04		1520	1550	-	-	730	713	192	1233																					
MH 7-80	18.5	05	16000	1735	1765	-	-	837.5	928	300	104				130...150 151...300	900	71	270	223	365	558	1723	-	405	-	300	250	22	55	45	-	
	23.5	06		1950	1980	-	-	945	1143	408	1448																					
	28	07	2160	2190	-	-	1050	1353	512	2038																						
	33	08	2370	2400	-	-	1155	1563	617	2248																						
	38.5	09	2600	2630	-	-	1270	1793	732	2478																						

Monorail trolley, standard headroom - Reeving 4/1

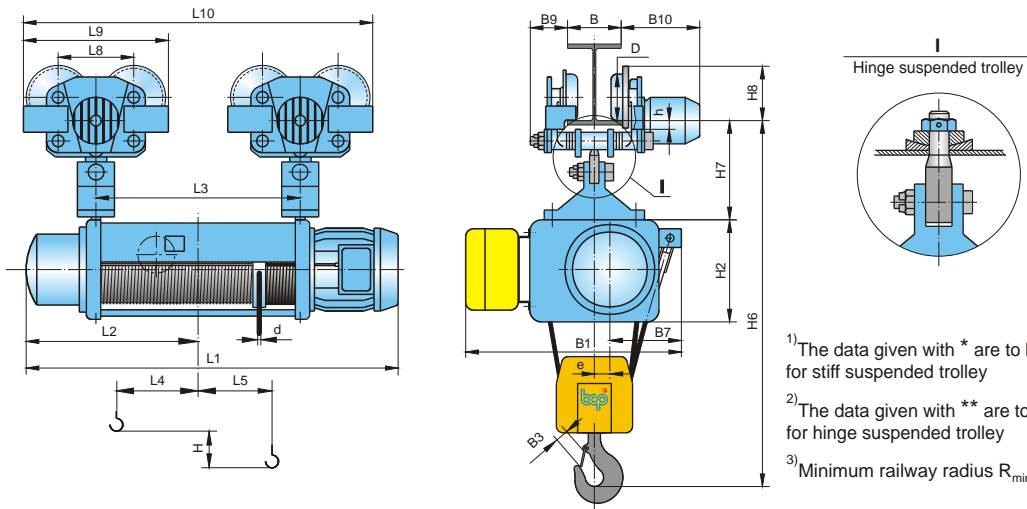


Type	Lifting height, H _i , m	Size of drums, table 1	Capacity, kg	General dimensions, mm																						
				L1				L3	L4	L5	L8	L9	B	B1	B3	B7	B9 _{max}	B10 _{max}	H2	H6	H7	H8	D	d	e	h
				V1	V1/M1	V2	V2/M2																			
MH 3-05	6,5	03	2000	925	965	925	965	429	90	45	240	450	90 ... 130 131 ... 300	650	40	229,5	115	360	321	894	157,5	155	125	7	25	42,5
MH 3-08	6,5	03	3200	925	965	-	-	429	90	45	240	450	90 ... 130 131 ... 300	650	45	229,5	115	360	321	924	157,5	155	125	7	25	42,5
MHM 4-10	6	03	4000	1025	1095	1025	1095	441	65	25	240	450	130 ... 150 151 ... 300	730	50	254	115	360	366	1049	157,5	155	125	10	15	42,5
MHM 4-16	6	03	6300	1025	1095	-	-	441	65	25	280	520	130 ... 150 151 ... 300	730	56	254	120	365	366	1089	175	187	160	10	15	42,5
MHM 5-16	5,5	03		1090	1175	1120	1175	491	67	35	280	520	130 ... 150 151 ... 300	730	56	254	120	365	366	1089	175	187	160	12 (10)	15	43

Minimum railway radius - R_{min}, mm

D, mm	R _{min}
100	1500
125	2500
160	3500
210	4500
250	5500

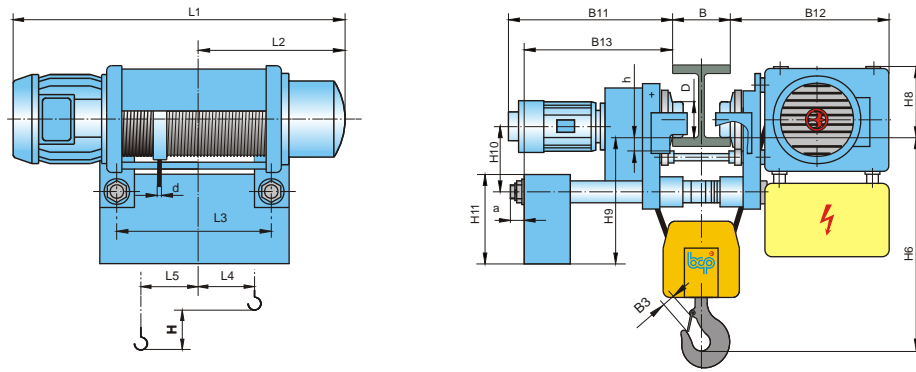
Monorail trolley, standard headroom - Reeving 4/1



- 1) The data given with * are to be considered for stiff suspended trolley
- 2) The data given with ** are to be considered for hinge suspended trolley
- 3) Minimum railway radius R_{min} - see p.16

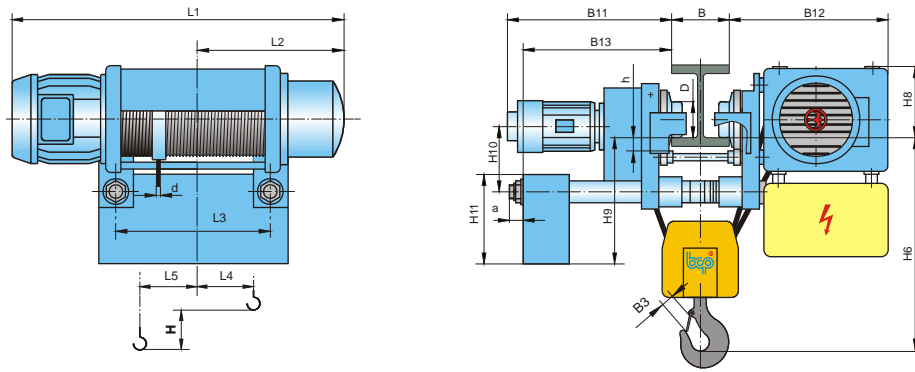
Type	Lifting height, H, m	Size of drums, table 1	Capacity, kg	General dimensions, mm																															
				L1				L2	L3	L4	L5	L8	L9	L10	B	B1	B3	B7	B9 _{max}	B10 _{max}	H2	H6		H7		H8	D	d	e	h					
				V1	V1/M1	V2	V2/M2															*	**	*	**					*	**				
MH 3-05	10	04	2000	1125	1165	1125	1165	520	629	190	45	215	400	1029	90 ... 130	650	40	229,5	100	310	321	904	951	168	215	132	100	7	25	45	46				
	13,5	05		1325	1365	1325	1365	620	829	290	-95			1229	131 ... 300																				
MHM 4-05	18	05		4000	1425	1495	1425	1495	670	841	307	-115	240	450	1291	130 ... 150	730	40	254	115	360	366	977	1044	196	263	155	125	7	15	42,5	34,5			
	20	05			1530	1615	1560	1615	715	931	345	-130			1381	151 ... 300																			
MHM 5-05	25,5	06			6300	1750	1835	1780	1835	825	1151	455	-185	240	450	1601	130 ... 150	730	40	254	115	360	366	977	1044	196	263	155	125	7	15	42,5	34,5		
	25,5	06				1750	1835	1780	1835	825	1151	455	-185			1601	151 ... 300																		
MH 3-08	10	04				3200	1125	1165	-	-	520	629	190	45	240	450	1079	90 ... 130	650	45	229,5	115	360	321	962	1029	196	263	155	125	7	25	42,5	35	
	13,5	05					1325	1365	-	-	620	829	290	-95			1279	131 ... 300																	
MHM 4-10	9	04	4000				1225	1295	1225	1295	570	641	165	-25	240	450	1091	130 ... 150	730	50	254	115	360	366	1087	1154	196	263	155	125	10	15	42,5	35	
	12,5	05					1425	1495	1425	1495	670	841	265	-75			1291	151 ... 300																	
MH 6-10	16,5	05		6300			1540	1630	1575	1630	715	873	316	-120	240	450	1323	130 ... 150	730	50	254	115	360	366	1087	1154	196	263	155	125	10	15	42,5	35	
	19	06					1645	1735	1680	1735	770	978	367	-145			1428	151 ... 300	850	50	309	120	365	432	1190	1235	233	278	155	125	10	14	42,5	35	
MH 6-16	22,5	07			6300		1820	1910	1855	1910	860	1153	455	-190	240	450	1603	130 ... 150	730	56	254	115	360	366	1127	1194	196	263	155	125	10	15	42,5	35	
	22,5	07					1820	1910	1855	1910	860	1153	455	-190			1603	151 ... 300	850	56	309	120	365	432	1230	1275	233	278	155	125	10	14	42,5	35	
MHM 4-16	9	04				10000	1225	1295	-	-	570	641	165	-25	240	450	1091	130 ... 150	730	56	254	115	360	366	1127	1194	196	263	155	125	10	15	42,5	35	
	12,5	05					1425	1495	-	-	670	841	265	-75			1291	151 ... 300																	
MHM 5-16	8,5	04	12500				1310	1395	1340	1395	605	711	177	-20	240	450	1161	130 ... 150	730	56	254	115	360	366	1127	1194	196	263	155	125	12	10	42,5	35	
	11,5	05					1530	1615	1560	1615	715	931	287	-70			1381	151 ... 300																	
MH 6-16	14,5	06		16000			1750	1835	1780	1835	825	1151	397	-125	240	450	1601	130 ... 150	730	56	254	115	360	366	1127	1194	196	263	155	125	12	10	42,5	35	
	15,5	06					1645	1735	1680	1735	770	978	367	-145			1428	151 ... 300	850	56	309	120	365	432	1230	1275	233	278	155	125	12	10	42,5	35	
MH 6-16	18,5	07			16000		1820	1910	1855	1910	860	1153	455	-190	240	450	1603	130 ... 150	730	56	254	115	360	366	1127	1194	196	263	155	125	12	10	42,5	35	
	18,5	07					1820	1910	1855	1910	860	1153	455	-190			1603	151 ... 300	850	56	309	120	365	432	1230	1275	233	278	155	125	12	10	42,5	35	
MHM 5-25	8,5	04				20000	1340	1395	-	-	605	711	177	-20	280	520	1231	130 ... 150	730	71	254	120	365	366	1294	1428	233	340	187	160	12	15	45	44	
	11,5	05					1560	1615	-	-	715	931	287	-70			1451	151 ... 300																	
MH 6-25	14,5	06	25000				1780	1835	-	-	825	1151	397	-125	280	520	1671	130 ... 150	730	71	254	120	365	366	1294	1428	233	340	187	160	12	15	45	44	
	14,5	06					1780	1835	-	-	825	1151	397	-125			1671	151 ... 300																	
MH 6-25	5	03		12500			1120	1210	1155	1210	505	453	29	61			973	130 ... 150	850	71	309	120	365	432	1360	1467	233	340	187	160	15	13	45	44	
	8	04					1330	1420	1365	1420	610	663	134	8			1183	151 ... 300																	
MH 6-32	11	05			16000		1540	1630	1575	1630	715	873	239	44	280	520	1393	130 ... 150	730	71	309	120	365	432	1360	1467	233	340	187	160	15	14	45	44	
	12,5	06					1645	1735	1680	1735	770	978	291	-71			1498	151 ... 300																	
MH 7-32	15	07				20000	1820	1910	1855	1910	860	1153	291	-71	280	520	1673	130 ... 150	730	71	309	120	365	432	1360	1467	233	340	187	160	15	14	45	44	
	15	07					1820	1910	1855	1910	860	1153	291	-71			1673	151 ... 300																	
MH 7-32	8	04	25000				1460	1495	-	-	675	713	102	46	280	520	1233	130 ... 150	1000	71	369	120	365	530	1608	1715	253	360	187	160	18	15	45	44	
	11	05					1675	1710	-	-	785	928	210	-8			1448	151 ... 300																	
MH 7-40	8	04		25000			1460	1495	-	-	675	713	102	46			1303	130 ... 150	1000	71	369	216	365	530	1740	-	405	-	232	210	18	15	23	50	-
	11	05					1675	1710	-	-	785	928	210	-8	310	590	1518	151 ... 300																	
MH 7-50	14,5	06			25000		1890	1925	-	-	890	1143	318	-62	310	590	1733	130 ... 150	1000	90	369	223	365	558	1790	-	405	-	300	250	18	15	23	57,5	-
	17,5	07					2100	2135	-	-	995	1353	422	-114			1943	151 ... 300																	
MH 7-63	8	04				25000	1520	1550	-	-	730	713	102	46			1398	130 ... 150	1000	90	369	223	365	558	1790	-	405	-	300	250	18	15	23	57,5	-
	11	05					1735	1765	-	-	840	928	210	-8	354	685	1613	151 ... 300																	
MH 7-63	14,5	06	25000				1950	1980	-	-	945	1143	318	-62	354	685	1828	130 ... 150	1000	90	369	227	365	558	1830	-	405	-	305	250	20	18	23	92	-
	17,5	07					2160	2190	-	-	1050	1353	422	-114			2093	151 ... 300																	

Monorail trolley, reduced headroom - Reeving 2/1



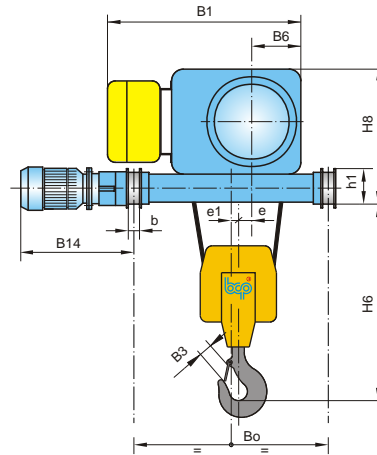
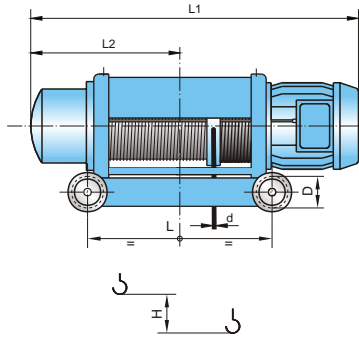
Type	Lifting height, H _l , m	Size of drums, table 1	Capacity, kg	General dimensions, mm																					
				L1				L2	L3	L4	L5	B	B3	B11	B12	B13	H6	H8	H9	H10	H11	h	D	a	d
				V1	V1/M1	V2	V2/M2																		
MH 3-05	6 01		1000	720	760	720	760	320	224	52	32	100 ... 170 171 ... 240 241 ... 300	34	500	460	500	615	164	440	233	310	35	100	27	7
	9,5 02	825		865	825	865	370	329	104																
	13 03	925		965	925	965	420	429	100																
	20 04	1125		1165	1125	1165	520	629	200																
27 05	1325	1365	1325	1365	620	829	300	87																	
MH 3-08	6 01		1600	720	760	-	-	320	224	52	32	100 ... 170 171 ... 240 241 ... 300	40	500	460	500	680	164	440	233	310	35	100	27	7
	9,5 02	825		865	-	-	370	329	104																
	13 03	925		965	-	-	420	429	100																
	20 04	1125		1165	-	-	520	629	200																
27 05	1325	1365	-	-	620	829	300	87																	
MHM 4-10	5 01		2000	815	885	815	885	365	231	50	33	100 ... 170 171 ... 240 241 ... 300	40	485	511	515	680	204	447	240	310	35,5	125	27	10
	8,5 02	925		995	925	995	420	341	105																
	12 03	1025		1095	1025	1095	470	441	110																
	18,5 04	1225		1295	1225	1295	570	641	175																
25 05	1425	1495	1425	1495	670	841	275	114																	
MHM 4-16	5 01		3200	815	885	-	-	365	231	50	33	100 ... 170 171 ... 240 241 ... 300	45	485	511	515	745	204	447	240	310	35,5	125	27	10
	8,5 02	925		995	-	-	420	341	105																
	12 03	1025		1095	-	-	470	441	110																
	18,5 04	1225		1295	-	-	570	641	175																
25 05	1425	1495	-	-	670	841	275	114																	
MHM 5-16	5 01		3200	860	945	890	945	380	261	65	29	100 ... 170 171 ... 240 241 ... 300	45	485	511	515	745	204	447	240	310	35,5	125	32	12 (10)
	8 02	980		1065	1010	1065	440	381	125																
	11 03	1090		1175	1120	1175	495	491	142																
	17 04	1310		1395	1340	1395	605	711	162																
23 05	1530	1615	1560	1615	715	931	272	157																	
29,5 06	1750	1835	1780	1835	825	1151	382	29																	
MHM 5-25	5 01		5000	890	945	-	-	380	261	65	29	100 ... 170 171 ... 240 241 ... 300	50	490	527	550	835	204	465	240	310	38	160	32	12
	8 02	1010		1065	-	-	440	381	125																
	11 03	1120		1175	-	-	495	491	142																
	17 04	1340		1395	-	-	605	711	162																
23 05	1560	1615	-	-	715	931	272	157																	
29,5 06	1780	1835	-	-	825	1151	382	29																	
MH 6-25	7 02		5000	1015	1105	1050	1105	445	348	90	38	100 ... 170 171 ... 240 241 ... 300	50	490	605	550	920	257	465	255	310	38	160	32	15 (13)
	10,5 03	1120		1210	1155	1210	505	453	90																
	16,5 04	1330		1420	1365	1420	610	663	143																
	22,5 05	1540		1630	1575	1630	715	873	248																
25,5 06	1645	1735	1680	1735	770	978	300	142																	
30,5 07	1820	1910	1855	1910	860	1153	388	142																	
MH 6-32	7 02		6300	1050	1105	-	-	445	348	90	38	100 ... 170 171 ... 240 241 ... 300	56	490	605	550	1050	257	465	255	310	38	160	32	15
	10,5 03	1155		1210	-	-	505	453	90																
	16,5 04	1365		1420	-	-	610	663	143																
	22,5 05	1575		1630	-	-	715	873	248																
25,5 06	1680	1735	-	-	770	987	300	142																	
30,5 07	1855	1910	-	-	860	1153	388	142																	
MH 7-40	7,5 02		8000	1140	1175	-	-	515	393	75	50	100 ... 170 171 ... 240 241 ... 300	56	665	744	575	1050	316	512	303	310	60	200	35	18 (15)
	12 03	1300		1335	-	-	595	553	155																
	16,5 04	1460		1495	-	-	675	713	167																
	22,5 05	1675		1710	-	-	785	928	248																
29 06	1890	1925	-	-	890	1143	382	118																	
34,5 07	2100	2135	-	-	995	1353	487	118																	

Monorail trolley, reduced headroom - Reeving 4/1



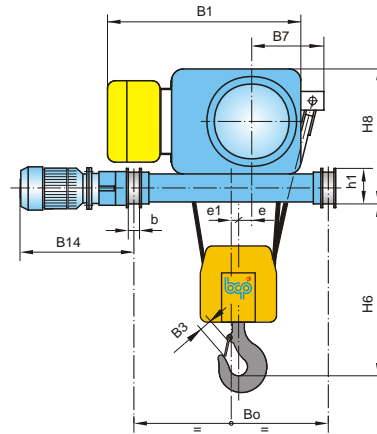
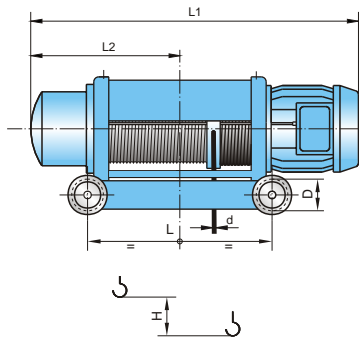
Type	Lifting height, H _l , m	Size of drums, table 1	Capacity, kg	General dimensions, mm																						
				L1				L2	L3	L4	L5	B	B3	B11	B12	B13	H6	H8	H9	H10	H11	h	D	a	d	
				V1	V1/M1	V2	V2/M2																			
MH 3-05	6,5	03	2000	925	965	925	965	420	429	45,5	-41	100 ... 170	40	500	460	510	615	164	440	233	310	35	100	27	7	
	10	04		1125	1165	1125	1165	520	629	146	-9	171 ... 240														
	13,5	05		1325	1365	1325	1365	620	829	246	-59	241 ... 300														
MH 3-08	6,5	03	3200	925	965	-	-	420	429	45,5	41	100 ... 170	45	500	470	490	625	164	440	233	310	35	100	27	7	
	10	04		1125	1165	-	-	520	629	146	-9	171 ... 240														
	13,5	05		1325	1365	-	-	620	829	246	-59	241 ... 300														
MHM 4-10	6	03	4000	1025	1095	1025	1095	470	441	29	54	100 ... 170	50	515	511	485	660	204	447	240	310	35,5	125	27	10	
	9	04		1225	1295	1225	1295	570	641	129	4	171 ... 240														
	12,5	05		1425	1495	1425	1495	670	841	229	-46	241 ... 300														
MHM 4-16	6	03	6300	1025	1095	-	-	470	441	29	54	100 ... 170	56	525	527	490	700	204	465	240	310	38	160	32	10	
	9	04		1225	1295	-	-	570	641	129	4															171 ... 240
	12,5	05		1425	1495	-	-	670	841	229	-46															241 ... 300
MHM 5-16	5,5	03	6300	1090	1175	1120	1175	495	491	25	67	100 ... 170	56	525	527	490	700	198	465	255	310	38	160	32	12 (10)	
	8,5	04		1310	1395	1340	1395	605	711	135	12															171 ... 240
	11,5	05		1530	1615	1560	1615	715	931	245	-42															241 ... 300
MHM 5-25	5,5	03	6300	1120	1175	-	-	495	491	25	67	100 ... 170	71	550	548	495	830	198	495	255	310	60	200	35	12	
	8,5	04		1340	1395	-	-	605	711	135	12															171 ... 240
	11,5	05		1560	1615	-	-	715	931	245	-42															241 ... 300
MH 6-25	5	03	10000	1120	1210	1155	1210	505	453	-34	112	100 ... 170	71	550	626	495	830	225	495	286	310	60	200	35	15 (13)	
	8	04		1330	1420	1385	1420	610	663	71	60															171 ... 240
	11	05		1540	1630	1575	1630	715	873	176	7															241 ... 300
MH 6-32	5	03	12500	1155	1210	-	-	505	453	-34	112	100 ... 170	71	575	640	730	830	225	525	286	310	68	250	35	15	
	8	04		1365	1420	-	-	610	663	71	60															171 ... 240
	11	05		1575	1630	-	-	715	873	176	7															241 ... 300
MH 7-40	8	04	16000	1460	1495	-	-	675	713	38	100	100 ... 170	71	575	766	730	960	303	525	308	310	68	250	35	18 (15)	
	11	05		1675	1710	-	-	785	928	128	62															171 ... 240
	14,5	06		1890	1925	-	-	890	1143	236	8															241 ... 300
	17,5	07		2100	2135	-	-	995	1353	341	-44															

Double rail trolley - Reeving 2/1



Type	Lifting height, H, m	Size of drums, Table 1	Capacity, kg	General dimensions, mm																		
				L	L1				L2	B0	B1	B3	B6	B14, max	H6	H8	D	b	d	e	e1	h1
					V1	V1/M1	V2	V2/M2														
MHM 4-10	5	01	2000	431	815	885	815	885	365	1000	650	40	184	480	550	525	160	50	10	35	-1	175
	8,5	02		541	925	995	925	995	420													
	12	03		641	1025	1095	1025	1095	470													
	18,5	04		841	1225	1295	1225	1295	570													
	25	05		1041	1425	1495	1425	1495	670													
MHM 4-16	5	01	3200	431	815	885	-	-	365	1000	650	45	184	480	620	525	160	50	10	35	-1	175
	8,5	02		541	925	995	-	-	420													
	12	03		641	1025	1095	-	-	470													
	18,5	04		841	1225	1295	-	-	570													
	25	05		1041	1425	1495	-	-	670													
MHM 5-16	5	01	5000	461	860	945	890	945	380	1000	650	45	184	480	620	525	160	50	12 (10)	35	-3	175
	8	02		581	980	1065	1010	1065	440													
	11	03		691	1090	1175	1120	1175	495													
	17	04		911	1310	1395	1340	1395	605													
	23	05		1131	1530	1615	1560	1615	715													
MHM 5-25	5	01	5000	461	890	945	-	-	380	1000	650	50	184	480	710	525	160	50	12	35	-3	175
	8	02		581	1010	1065	-	-	440													
	11	03		691	1120	1175	-	-	495													
	17	04		911	1340	1395	-	-	605													
	23	05		1131	1560	1615	-	-	715													
MH 6-25	7	02	6300	548	1015	1105	1050	1105	445	1000	760	50	220	480	710	590	160	50	15 (13)	38	1	175
	10,5	03		653	1120	1210	1155	1210	505													
	16,5	04		863	1330	1420	1365	1420	610													
	22,5	05		1073	1540	1630	1575	1630	715													
	25,5	06		1178	1645	1735	1680	1735	770													
MH 6-32	7	02	8000	548	1050	1105	-	-	445	1000	760	56	220	480	840	590	160	50	15	38	1	175
	10,5	03		653	1155	1210	-	-	505													
	16,5	04		863	1365	1420	-	-	610													
	22,5	05		1073	1575	1630	-	-	715													
	25,5	06		1178	1680	1735	-	-	770													
MH 7-40	7	02	10000	548	1050	1105	-	-	445	1000	900	56	270	760	840	740	160	50	18 (15)	55	-4	175
	10,5	03		653	1155	1210	-	-	505													
	16,5	04		863	1365	1420	-	-	610													
	22,5	05		1073	1575	1630	-	-	715													
	25,5	06		1178	1680	1735	-	-	770													
MH 7-50	7,5	02	12500	673	1200	1230	-	-	570	1200	900	71	270	760	965	740	200	60	20 (18)	55	-4	215
	12	03		833	1360	1390	-	-	650													
	16,5	04		993	1520	1550	-	-	730													
	22,5	05		1208	1735	1765	-	-	837,5													
	29	06		1423	1950	1980	-	-	945													
MH 7-63	7,5	02	16000	673	1200	1230	-	-	570	1200	900	71	270	760	965	740	200	60	22	55	-4	215
	12	03		833	1360	1390	-	-	650													
	16,5	04		993	1520	1550	-	-	730													
	22,5	05		1208	1735	1765	-	-	837,5													
	29	06		1423	1950	1980	-	-	945													
MH 7-80	6	02	16000	673	1200	1230	-	-	570	1200	900	71	270	760	965	740	200	60	22	55	-4	215
	9,5	03		833	1360	1390	-	-	650													
	13	04		993	1520	1550	-	-	730													
	18,5	05		1208	1735	1765	-	-	837,5													
	23,5	06		1423	1950	1980	-	-	945													

Double rail trolley - Reeving 4/1



Type	Lifting height, H, m	Size of drums, Table 1	Capacity, kg	General dimensions, mm																		
				L	L1				L2	Bo	B1	B3	B7	B14, max	H6	H8	D	b	d	e	e1	h1
					V1	V1/M1	V2	V2/M2														
MHM 4-10	6	03	4000	641	1025	1095	1025	1095	470	1000	730	50	254	480	505	525	160	50	10	15	27	175
	9	04		841	1225	1295	1225	1295	570													
	12,5	05		1041	1425	1495	1425	1495	670													
MHM 4-16	6	03	6300	641	1025	1095	-	-	470	1000	730	56	254	480	545	525	160	50	10	15	27	175
	9	04		841	1225	1295	-	-	570													
	12,5	05		1041	1425	1495	-	-	670													
MHM 5-16	5,5	03	6300	691	1090	1175	1120	1175	495	1000	730	56	254	480	545	525	160	50	12 (10)	15	27	175
	8,5	04		911	1310	1395	1340	1395	605													
	11,5	05		1131	1530	1615	1560	1615	715													
	14,5	06		1351	1750	1835	1780	1835	825													
	15,5	07		1571	1970	2055	1920	2055	935													
MHM 5-25	5,5	03	10000	691	1120	1175	-	-	495	1000	730	71	254	480	685	525	160	50	12	15	27	175
	8,5	04		911	1340	1395	-	-	605													
	11,5	05		1131	1560	1615	-	-	715													
	14,5	06		1351	1780	1835	-	-	825													
	15,5	07		1571	1970	2055	-	-	935													
MH 6-25	5	03	12500	653	1120	1210	1155	1210	505	1000	850	71	309	480	685	590	160	50	15 (13)	14	23	175
	8	04		863	1330	1420	1365	1420	610													
	11	05		1073	1540	1630	1575	1630	715													
	12,5	06		1178	1645	1735	1680	1735	770													
	15	07		1353	1820	1910	1855	1910	860													
MH 6-32	5	03	16000	653	1155	1210	-	-	505	1200	850	71	309	480	685	630	200	60	15	14	23	215
	8	04		863	1365	1420	-	-	610													
	11	05		1073	1575	1630	-	-	715													
	12,5	06		1178	1680	1735	-	-	770													
	15	07		1353	1855	1910	-	-	860													
MH 7-40	8	04	20000	993	1460	1495	-	-	675	1400	1000	90	380	760	765	740	200	60	18 (15)	23	22	215
	11	05		1208	1675	1710	-	-	785													
	14,5	06		1423	1890	1925	-	-	890													
	17,5	07		1633	2100	2135	-	-	995													
	23,5	09		2073	2540	2575	-	-	1215													
MH 7-50	8	04	25000	993	1520	1550	-	-	730	1400	1000	90	380	760	815	800	250	60	18 (15)	23	22	265
	11	05		1208	1735	1765	-	-	837,5													
	14,5	06		1423	1950	1980	-	-	945													
	17,5	07		1633	2160	2190	-	-	1050													
	23,5	09		2073	2600	2630	-	-	1270													
MH 7-63	7,5	04	32000	993	1520	1550	-	-	730	1400	1000	90	380	760	815	815	250	60	20 (18)	23	22	265
	10,5	05		1208	1735	1765	-	-	837,5													
	13	06		1423	1950	1980	-	-	945													
	16	07		1633	2160	2190	-	-	1050													
	18,5	08		1843	2370	2400	-	-	1155													
MH 7-80	6,5	04	32000	993	1520	1550	-	-	730	1400	1000	90	380	760	815	850	320	60	22	23	22	337,5
	9	05		1208	1735	1765	-	-	837,5													
	11,5	06		1423	1950	1980	-	-	945													
	14	07		1633	2160	2190	-	-	1050													
	16,5	08		1843	2370	2400	-	-	1155													
19	09	2073	2600	2630	-	-	1270															







BALKANCARPODEM AD.
1040 Sofia, Bulgaria
18, Kliment Ohridski Blvd.
Tel. +359 2 975 33 95
Fax +359 2 975 30 89
e-mail: mail@bcp.bg
[http: \\www.bcp.bg](http://www.bcp.bg)